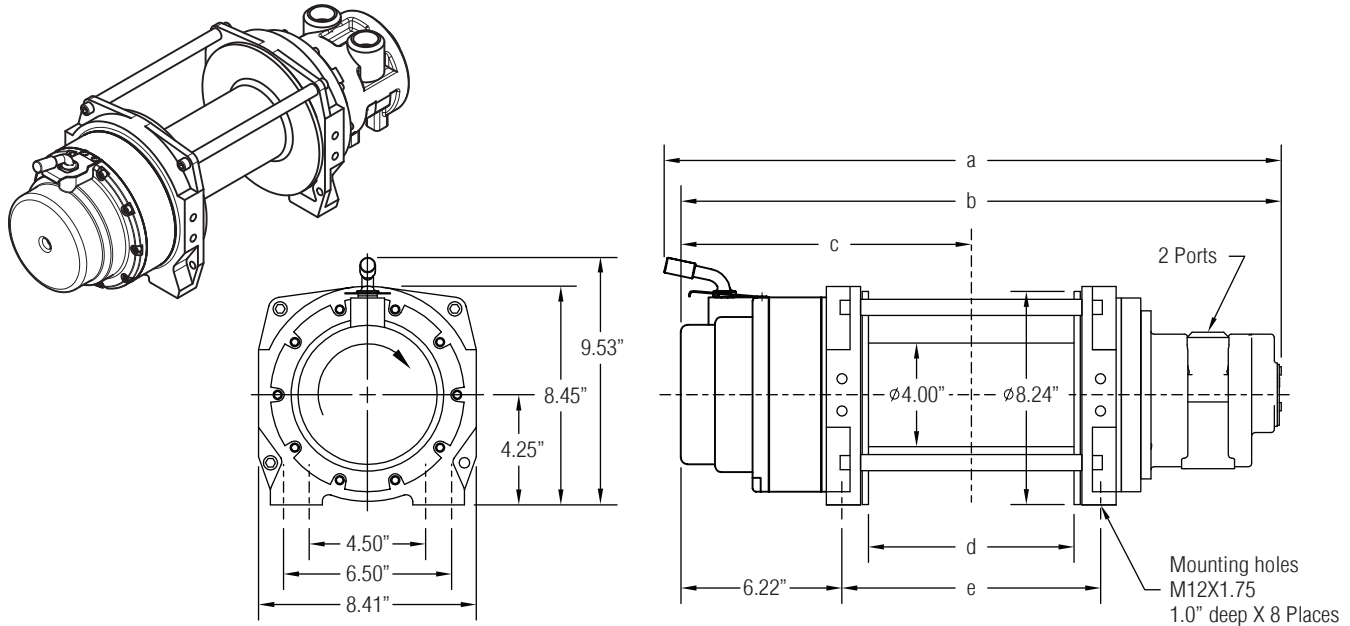


DIMENSIONAL DATA



Drum Size	Dimensions									Typical Weight			Wire Rope Capacity			Motor	Port Size
	a			b			c	d	e	2.5 HP	4.25 HP	6.5 HP	1/4"	5/16"	3/8"		
	2.5 HP	4.25 HP	6.5 HP	2.5 HP	4.25 HP	6.5 HP											
01	22.4"	23.9"	24.5"	21.8"	23.3"	23.9"	11.22"	8.0"	10.0"	86 lbs	96 lbs	104 lbs	326'	228'	159'	2.5 HP	1/2" NPT
02	24.4"	25.9"	26.5"	23.8"	25.3"	25.9"	12.22"	10.0"	12.0"	89 lbs	99 lbs	107 lbs	407'	285'	198'	4.25 HP	3/4" NPT
03	26.9"	28.4"	29.0"	26.3"	27.8"	28.4"	13.47"	12.5"	14.5"	99 lbs	109 lbs	117 lbs	509'	356'	248'	6.5 HP	1" NPT

PERFORMANCE

Model	HP	Power Input		Gear Ratio	Calculated Performance					
		PSI	CFM		First Layer		Mean Drum		Full Drum	
					LBS	FPM	LBS	FPM	LBS	FPM
WG750-P	4.25	65	110	36:1	750	95.4	562	123.8	457	152.1
WG1600-P	6.5	75	190	36:1	1600	95.4	1206	123.8	981	152.1
WG2750-P	2.5	70	75	261:1	2,750	17.6	2,190	22.8	1,782	28.0
WG5000-P	4.25	65	110	261:1	5,000	13.2	3,910	17.1	3,182	21.0
WG10000-P	6.5	75	190	261:1	10,000	13.0	7,170	17.0	6,270	21.0

Performance based on intermittent duty cycles.

Columbia winches and hoists are available for AC, DC, hydraulic or pneumatic power sources. Special models for any application can be supplied - please contact your distributor for details.

Distributed by:

ALLIED POWER PRODUCTS, INC.

THE WINCH & HOIST SPECIALISTS

6590 SW Fallbrook Place, Beaverton, OR 97008

(503) 626-0654 Fax (503) 646-1996

www.alliedpower.com