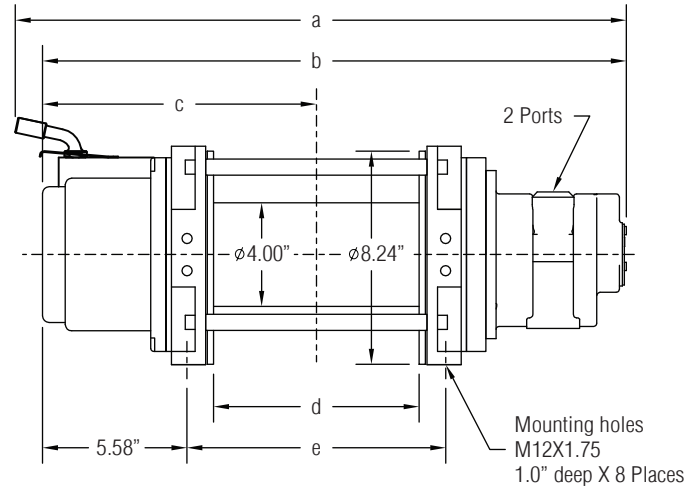
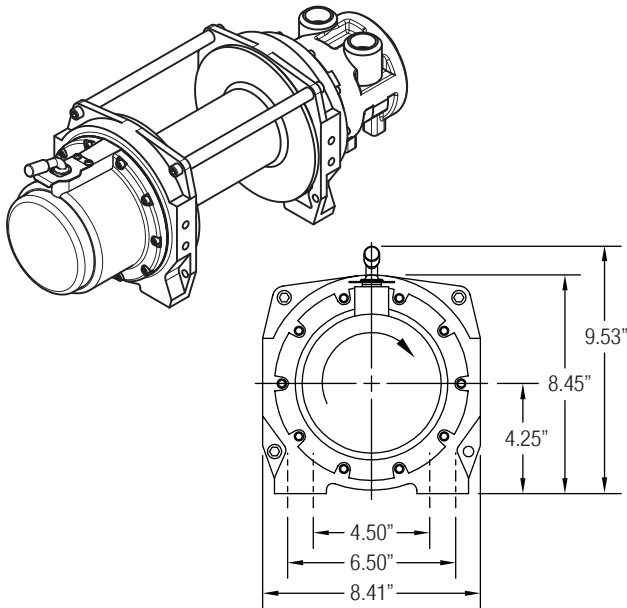


DIMENSIONAL DATA



Drum Size	Dimensions									Typical Weight			Wire Rope Capacity			Motor	Port Size
	a			b			c	d	e	2.5 HP	4.25 HP	6.5 HP	1/4"	5/16"	3/8"		
	2.5 HP	4.25 HP	6.5 HP	2.5 HP	4.25 HP	6.5 HP											
01	22.2"	23.6"	24.2"	21.2"	22.6"	23.2"	10.57"	8.0"	10.0"	76 lbs	86 lbs	94 lbs	326'	228'	159'	2.5 HP	1/2" NPT
02	24.2"	25.6"	26.2"	23.2"	24.6"	25.2"	11.57"	10.0"	12.0"	79 lbs	89 lbs	97 lbs	407'	285'	198'	4.25 HP	3/4" NPT
03	26.7"	28.1"	28.7"	25.7"	27.1"	27.7"	12.82"	12.5"	14.5"	89 lbs	99 lbs	107 lbs	509'	356'	248'	6.5 HP	1" NPT

PERFORMANCE

Model	HP	Power Input		Gear Ratio	Calculated Performance					
		PSI	CFM		First Layer		Mean Drum		Full Drum	
					LBS	FPM	LBS	FPM	LBS	FPM
WF550-P	4.25	65	110	27:1	550	127.3	421	165.0	343	202.8
WF1200-P	6.5	75	190	27:1	1200	127.3	905	165.0	736	202.8
WF1750-P	2.5	70	75	164:1	1,750	27.9	1,376	36.2	1,120	44.5
WF3150-P	4.25	65	110	164:1	3,150	21.0	2,457	27.2	1,999	33.4
WF6300-P	6.5	75	190	164:1	6,300	21.0	4,855	27.0	3,950	33.0

Performance based on intermittent duty cycles.

CAUTION: The final determination as to the suitability of this product for any purpose is solely that of the user. Columbia products are not to be used to lift people or to lift anything over people.

Columbia winches and hoists are available for AC, DC, hydraulic or pneumatic power sources. Special models for any application can be supplied - please contact your distributor for details.

Distributed by:

ALLIED POWER PRODUCTS, INC.

THE WINCH & HOIST SPECIALISTS

6590 SW Fallbrook Place, Beaverton, OR 97008

(503) 626-0654 Fax (503) 646-1996

www.alliedpower.com