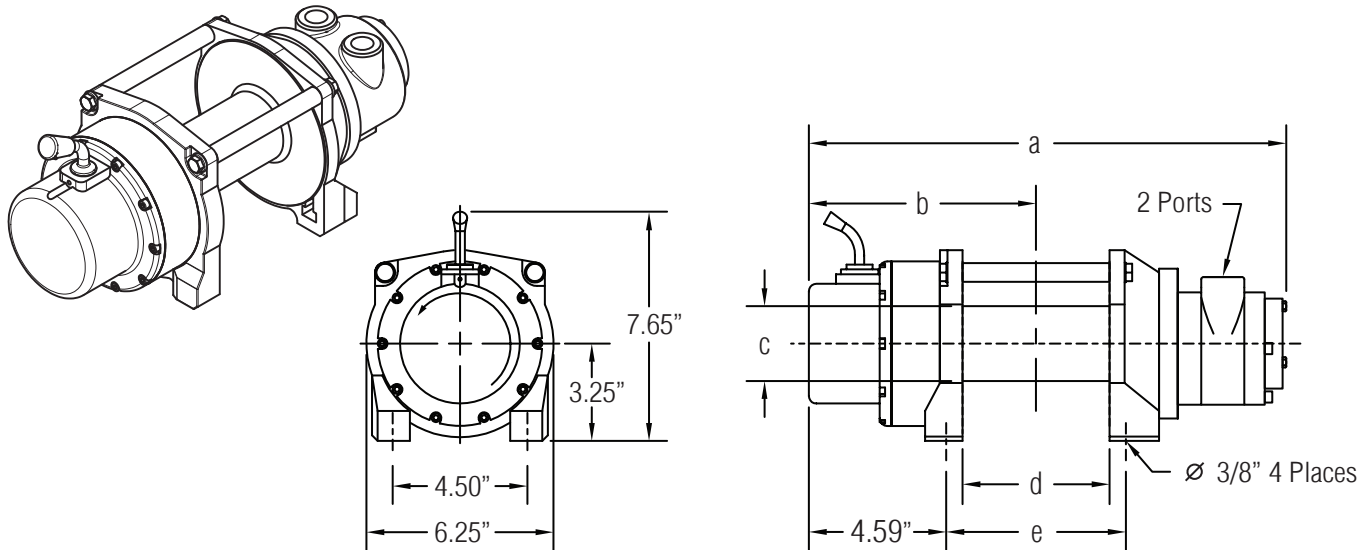


### DIMENSIONAL DATA



Drum Size	Dimensions					Typical Weight	Wire Rope Capacity		
	a	b	c	d	e		3/16"	1/4"	5/16"
-11	14.2"	6.59"	3.5"	2.7"	4.0"	32 lbs	99'	--	--
-01	15.9"	7.59"	2.5"	5.0"	6.0"	35 lbs	213'	120'	84'
-02	19.9"	9.59"	2.5"	9.0"	10.0"	39 lbs	384'	217'	147'

Motor	Port Size
0.75 HP	3/8 NPT
1.25 HP	1/2 NPT

### PERFORMANCE

Model	HP	Power Input		Gear Ratio	Calculated Performance					
		PSI	CFM		First Layer		Mean Drum		Full Drum	
					LBS	FPM	LBS	FPM	LBS	FPM
WD470-P <sup>1</sup>	0.75	70	50	113:1	470	35.9	387	43.8	327	51.7
WD650-P <sup>1</sup>	0.75	70	50	156:1	650	26.0	534	31.7	452	37.4
WD900-P <sup>1</sup>	0.75	70	50	216:1	900	18.8	739	22.9	625	27.0
WD1450-P <sup>2</sup>	1.25	70	80	113:1	1,450	26.0	1,044	36.0	816	51.0
WD2000-P <sup>2</sup>	1.25	70	80	156:1	2,000	19.0	1,440	26.0	1,125	37.0
WD2700-P <sup>2</sup>	1.25	70	80	216:1	2,700	13.0	1,952	19.0	1,527	24.0

<sup>1</sup> -11 drum

<sup>2</sup> -01 and -02 drums

Performance based on intermittent duty cycles.

Columbia winches and hoists are available for AC, DC, hydraulic or pneumatic power sources. Special models for any application can be supplied - please contact your distributor for details.

Distributed by:

**ALLIED POWER PRODUCTS, INC.**

THE WINCH & HOIST SPECIALISTS

6590 SW Fallbrook Place, Beaverton, OR 97008

(503) 626-0654 Fax (503) 646-1996

www.alliedpower.com