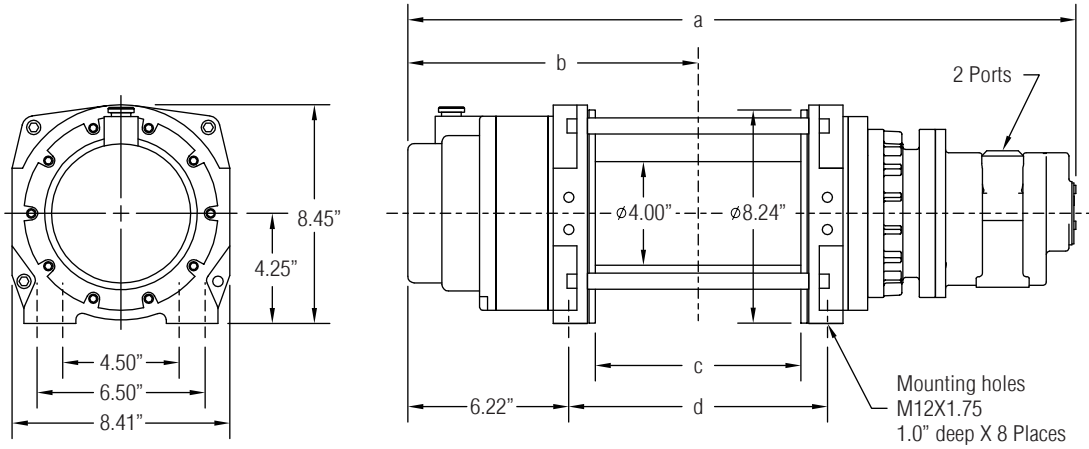


CAUTION: The final determination as to the suitability of this product for any purpose is solely that of the user. Columbia products are not to be used to lift people or to lift anything over people.

## DIMENSIONAL DATA



Drum Size	Dimensions					Typical Weight		Wire Rope Capacity			Motor	Port Size
	a		b	c	d	2.5 HP	4.25 HP	1/4"	5/16"	3/8"		
	2.5 HP	4.25 HP										
01	24.4"	25.8"	11.22"	8.0"	10.0"	95 lbs	105 lbs	326'	228'	159'	2.5 HP	1/2" NPT
02	26.4"	27.8"	12.22"	10.0"	12.0"	98 lbs	108 lbs	407'	285'	198'	4.25 HP	3/4" NPT
03	28.9"	30.3"	13.47"	12.5"	14.5"	108 lbs	118 lbs	509'	356'	248'		

## PERFORMANCE

Model	HP	Power Input		Gear Ratio	Line Pull • Line Speed (Calculated)		
		PSI	CFM		First Layer	Mean Drum	Full Drum
HG2750-P	2.5	70	75	261:1	2750 lbs • 18 fpm	2120 lbs • 23 fpm	1725 lbs • 28 fpm
HG5000-P	4.25	65	110	261:1	5000 lbs • 13 fpm	3855 lbs • 17 fpm	3135 lbs • 21 fpm

Performance based on intermittent duty cycles.

Columbia winches and hoists are available for AC, DC, hydraulic or pneumatic power sources. Special models for any application can be supplied - please contact your distributor for details.

Distributed by:

**ALLIED POWER PRODUCTS, INC.**

**THE WINCH & HOIST SPECIALISTS**

6590 SW Fallbrook Place, Beaverton, OR 97008

(503) 626-0654 Fax (503) 646-1996

[www.alliedpower.com](http://www.alliedpower.com)