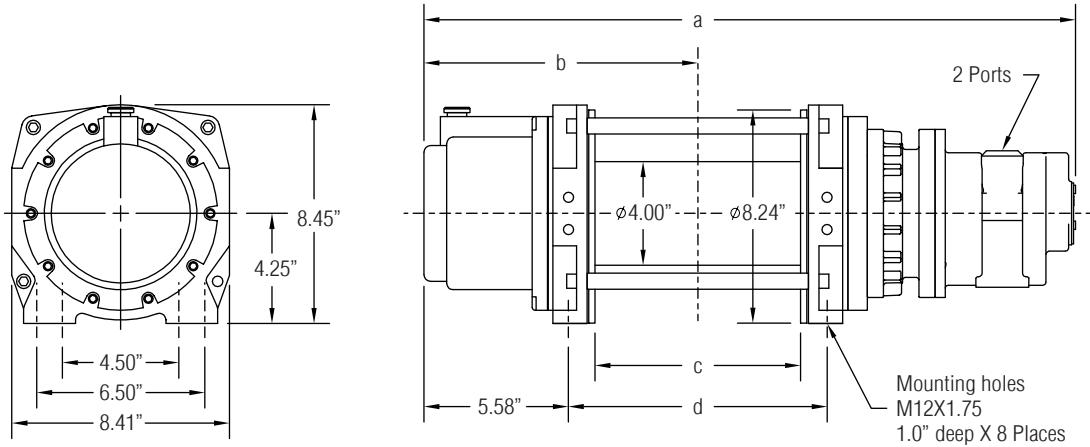


CAUTION: The final determination as to the suitability of this product for any purpose is solely that of the user. Columbia products are not to be used to lift people or to lift anything over people.

DIMENSIONAL DATA



Drum Size	Dimensions					Typical Weight		Wire Rope Capacity			Motor	Port Size
	a		b	c	d	2.5 HP	4.25 HP	1/4"	5/16"	3/8"		
	2.5 HP	4.25 HP										
01	23.8"	25.2"	10.57"	8.0"	10.0"	85 lbs	95 lbs	326'	228'	159'	2.5 HP	1/2" NPT
02	25.8"	27.2"	11.57"	10.0"	12.0"	88 lbs	98 lbs	407'	285'	198'	4.25 HP	3/4" NPT
03	28.3"	29.7"	12.82"	12.5"	14.5"	98 lbs	108 lbs	509'	356'	248'		

PERFORMANCE

Model	HP	Power Input		Gear Ratio	Line Pull • Line Speed (Calculated)		
		PSI	CFM		First Layer	Mean Drum	Full Drum
HF1750-P	2.5	70	75	164:1	1750 lbs • 28 fpm	1345 lbs • 36 fpm	1085 lbs • 45 fpm
HF3150-P	4.25	65	110	164:1	3150 lbs • 21 fpm	2425 lbs • 27 fpm	1975 lbs • 33 pfm

Performance based on intermittent duty cycles.

Columbia winches and hoists are available for AC, DC, hydraulic or pneumatic power sources. Special models for any application can be supplied - please contact your distributor for details.

Distributed by:

ALLIED POWER PRODUCTS, INC.

THE WINCH & HOIST SPECIALISTS

6590 SW Fallbrook Place, Beaverton, OR 97008

(503) 626-0654 Fax (503) 646-1996

www.alliedpower.com