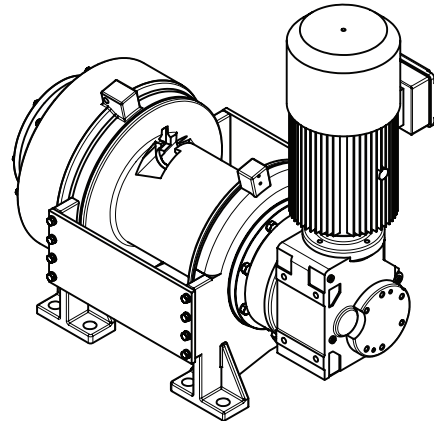
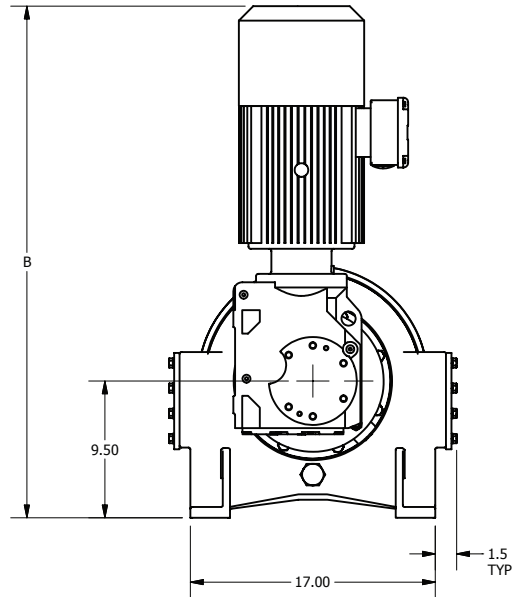
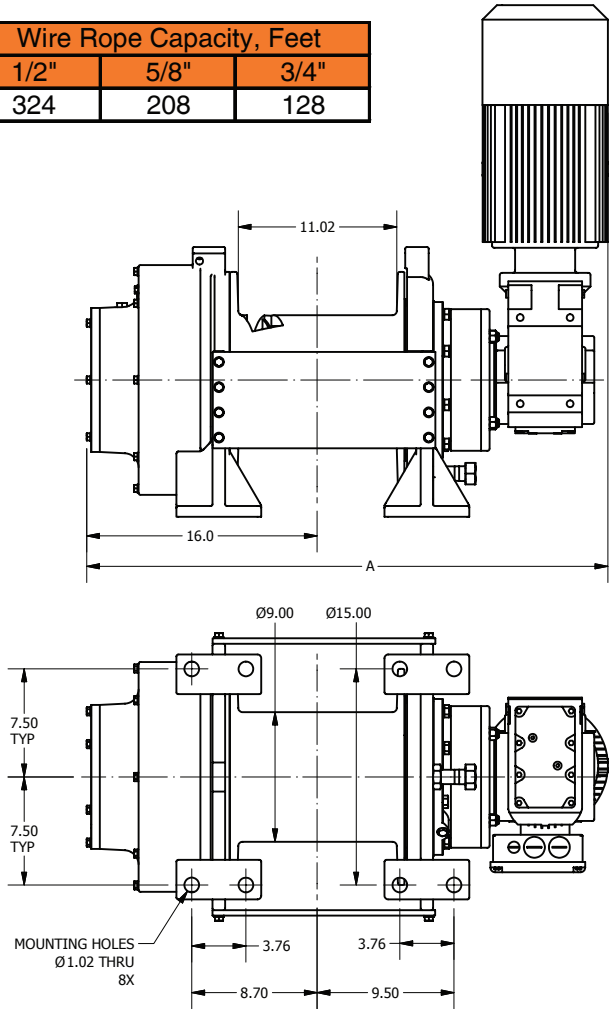


CAUTION: The final determination as to the suitability of this product for any purpose is solely that of the user. Columbia products are not to be used to lift people or to lift anything over people.

### DIMENSIONAL/PERFORMANCE DATA

Wire Rope Capacity, Feet		
1/2"	5/8"	3/4"
324	208	128



Model	Motor HP	Typical Weight	Line Pull • Line Speed (Calculated with 3/4" wire rope)			Dimensions	
			First Layer	Mean Drum	Full Drum	A <sup>1</sup>	B <sup>1</sup>
WR30000	3.0	730 lbs	30,000 lbs • 2.9 fpm	26,508 lbs • 3.3 fpm	23,720 lbs • 3.7 fpm	35.5	32.2
WR30000	5.0	730 lbs	30,000 lbs • 4.9 fpm	26,032 lbs • 5.6 fpm	23,294 lbs • 6.3 fpm	35.5	32.2
WR40000	5.0	730 lbs	40,000 lbs • 3.6 fpm	35,556 lbs • 4.1 fpm	31,816 lbs • 4.6 fpm	35.5	32.2
WR40000	7.5	800 lbs	40,000 lbs • 5.3 fpm	36,350 lbs • 6.0 fpm	32,526 lbs • 6.7 fpm	35.2	35.5

Performance based on 230/460 3Ø 60 Hz input power; other voltages available

Gearmotors can be rotated in 90° increments

<sup>1</sup> Typical dimensions shown

Columbia winches and hoists are available for AC, DC, hydraulic or pneumatic power sources. Special models for any application can be supplied - please contact your distributor for details.

Distributed by:

**ALLIED POWER PRODUCTS, INC.**

THE WINCH & HOIST SPECIALISTS

6590 SW Fallbrook Place, Beaverton, OR 97008

(503) 626-0654 Fax (503) 646-1996

[www.alliedpower.com](http://www.alliedpower.com)