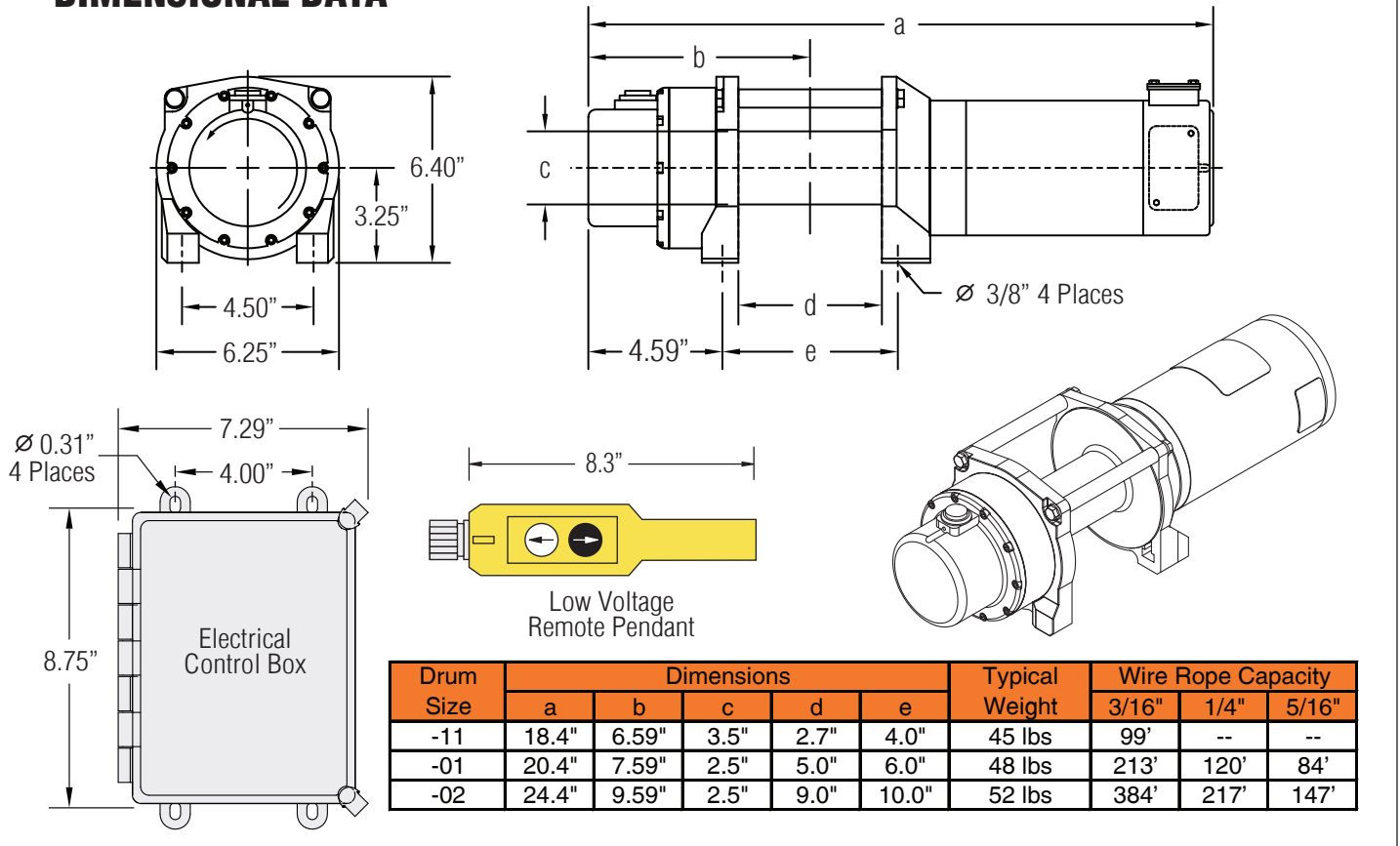


CAUTION: The final determination as to the suitability of this product for any purpose is solely that of the user. Columbia products are not to be used to lift people or to lift anything over people.

DIMENSIONAL DATA



PERFORMANCE

Model	Motor		Power Input		Gear Ratio	Calculated Performance					
	HP	RPM	Voltage	Ø		First Layer		Mean Drum		Full Drum	
						LBS	FPM	LBS	FPM	LBS	FPM
HC750 ¹	0.75	2500	115/230	1Ø	113:1	750	21.4	649	25.1	564	28.9
HC1100 ¹	0.75	2500	115/230	1Ø	156:1	1100	15.5	896	18.2	779	20.9
HC1500 ¹	0.75	2500	115/230	1Ø	216:1	1500	11.2	1240	13.1	1079	15.1
H1000 ²	0.75	2500	115/230	1Ø	113:1	1000	16.3	751	22.6	588	28.8
H1500 ²	0.75	2500	115/230	1Ø	156:1	1500	11.8	1037	16.3	812	20.9
H2000 ²	0.75	2500	115/230	1Ø	216:1	2000	8.5	1436	11.8	1124	15.1

¹ -11 drum

² -01 and -02 drums

Calculated performance based on intermittent duty cycles.

Columbia winches and hoists are available for AC, DC, hydraulic or pneumatic power sources. Special models for any application can be supplied - please contact your distributor for details.

Distributed by:

ALLIED POWER PRODUCTS, INC.

THE WINCH & HOIST SPECIALISTS

6590 SW Fallbrook Place, Beaverton, OR 97008

(503) 626-0654 Fax (503) 646-1996

www.alliedpower.com