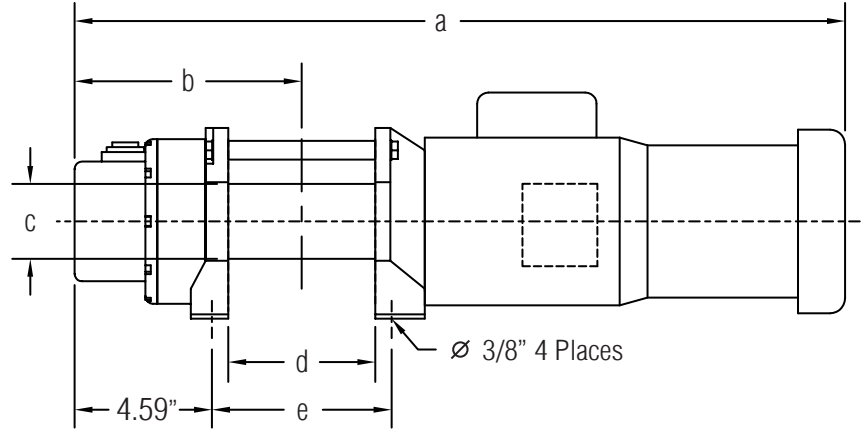
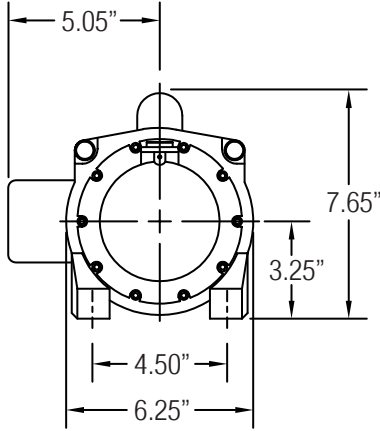
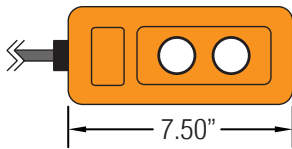


CAUTION: The final determination as to the suitability of this product for any purpose is solely that of the user. Columbia products are not to be used to lift people or to lift anything over people.

DIMENSIONAL DATA



Full Voltage Remote Pendant



Drum Size	Dimensions					Typical Weight	Wire Rope Capacity		
	a	b	c	d	e		3/16"	1/4"	5/16"
-11	22.8"	6.59"	3.5"	2.7"	4.0"	48 lbs	99'	--	--
-01	24.8"	7.59"	2.5"	5.0"	6.0"	51 lbs	213'	120'	84'
-02	28.8"	9.59"	2.5"	9.0"	10.0"	55 lbs	384'	217'	147'

PERFORMANCE

Model	Motor		Power Input		Gear Ratio	Line Pull • Line Speed (Calculated)		
	HP	RPM	Voltage	Ø		First Layer	Mean Drum	Full Drum
HD650 ¹	0.5	3450	115/230	1Ø	156:1	650 lbs • 21 fpm	530 lbs • 27 fpm	466 lbs • 31 fpm
HD1000 ²	0.5	3450	115/230	1Ø	113:1	1000 lbs • 24 fpm	725 lbs • 32 fpm	568 lbs • 42 fpm
HD1450 ²	0.5	3450	115/230	1Ø	156:1	1450 lbs • 16 fpm	1050 lbs • 23 fpm	820 lbs • 29 fpm
HD2000 ²	0.5	3450	115/230	1Ø	216:1	2000 lbs • 12 fpm	1450 lbs • 16 fpm	1135 lbs • 21 fpm

Performance based on intermittent duty cycles.

¹ -11 drum

² -01 and -02 drums

Columbia winches and hoists are available for AC, DC, hydraulic or pneumatic power sources. Special models for any application can be supplied - please contact your distributor for details.

Distributed by:

ALLIED POWER PRODUCTS, INC.

THE WINCH & HOIST SPECIALISTS

6590 SW Fallbrook Place, Beaverton, OR 97008

(503) 626-0654 Fax (503) 646-1996

www.alliedpower.com