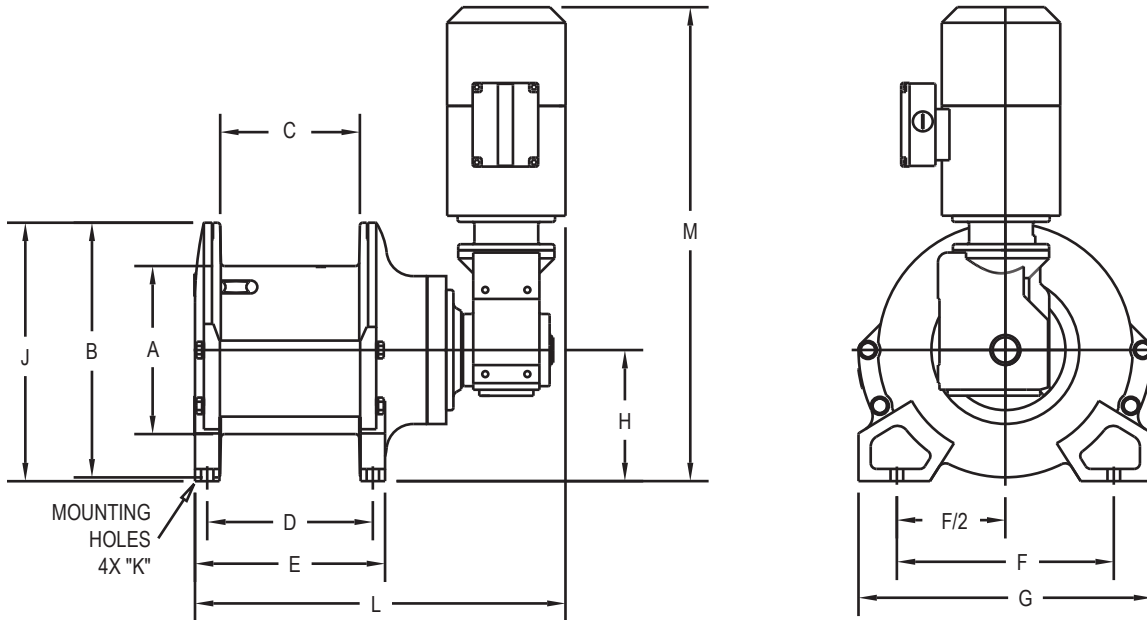


CAUTION: The final determination as to the suitability of this product for any purpose is solely that of the user. Columbia products are not to be used to lift people or to lift anything over people.

DIMENSIONAL/PERFORMANCE DATA



Model	Drum Size	Motor HP	Typical Weight	Line Pull • Line Speed (Calculated)		
				First Layer	Mean Drum	Full Drum
HR1-1000	1	0.5	150 lbs	1000 lbs • 14 fpm	910 lbs • 16 fpm	840 lbs • 18 fpm
HR1-2100	1	1.0	155 lbs	2100 lbs • 14 fpm	1800 lbs • 16 fpm	1670 lbs • 18 fpm
HR2-2200	2	1.0	195 lbs	2200 lbs • 13 fpm	1900 lbs • 15 fpm	1700 lbs • 17 fpm
HR2-4200	2	2.0	230 lbs	4200 lbs • 14 fpm	3600 lbs • 16 fpm	3100 lbs • 19 fpm
HR3-3500	3	2.0	450 lbs	3500 lbs • 17 fpm	3000 lbs • 20 fpm	2700 lbs • 22 fpm
HR3-7200	3	3.0	490 lbs	7200 lbs • 12 fpm	6000 lbs • 15 fpm	5600 lbs • 16 fpm
HR4-4400	4	2.0	450 lbs	4400 lbs • 13 fpm	3700 lbs • 16 fpm	3500 lbs • 17 fpm
HR4-9400	4	5.0	500 lbs	9400 lbs • 16 fpm	7900 lbs • 19 fpm	7300 lbs • 21 fpm

Performance based on 230/460 3Ø 60 Hz input power; other voltages available

Drum Size	Dimensions												Wire Rope Capacity								
	A	B	C	D	E	F	G	H	J	K	L ¹	M ¹	3/16"	1/4"	5/16"	3/8"	7/16"	1/2"	9/16"	5/8"	
1	7.0"	10.6"	6.0"	7.26"	8.4"	9.04"	12.3"	5.6"	10.9"	0.53"	18.3"	23.7"	715'	365'	250'	130'	/	/	/	/	/
2	7.5"	11.5"	7.1"	8.63"	10.0"	9.75"	13.6"	6.0"	11.8"	0.68"	20.7"	25.7"	/	540'	305'	210'	142'	/	/	/	/
3	11.0"	16.7"	9.1"	10.84"	12.6"	14.20"	19.2"	8.6"	16.9"	0.83"	24.6"	31.1"	/	/	/	/	410'	375'	275'	188'	188'
4	11.0"	16.7"	9.1"	10.84"	12.6"	14.20"	19.2"	8.6"	16.9"	0.95"	24.9"	31.4"	/	/	/	/	410'	375'	275'	188'	188'

¹ Max dimension shown

Columbia winches and hoists are available for AC, DC, hydraulic or pneumatic power sources. Special models for any application can be supplied - please contact your distributor for details.

Distributed by:

ALLIED POWER PRODUCTS, INC.

THE WINCH & HOIST SPECIALISTS

6590 SW Fallbrook Place, Beaverton, OR 97008

(503) 626-0654 Fax (503) 646-1996

www.alliedpower.com