



High efficiency, planetary reduction hoists with more value, more options, more performance, more...

FEATURES

- Rated for hoisting loads vertically
- Automatic, load suspending braking system
- 115/230 VAC 1Ø input power with TENV DC motor
- Permanently lubed, 3-stage planetary geartrain
- Simple installation at any angle
- NEMA 4X rated low voltage controls

CUSTOM DESIGNS

Custom designs are available to meet your exact requirements for any lifting, pulling or positioning application with pneumatic, hydraulic, electric and self-contained power sources.

OPTIONS

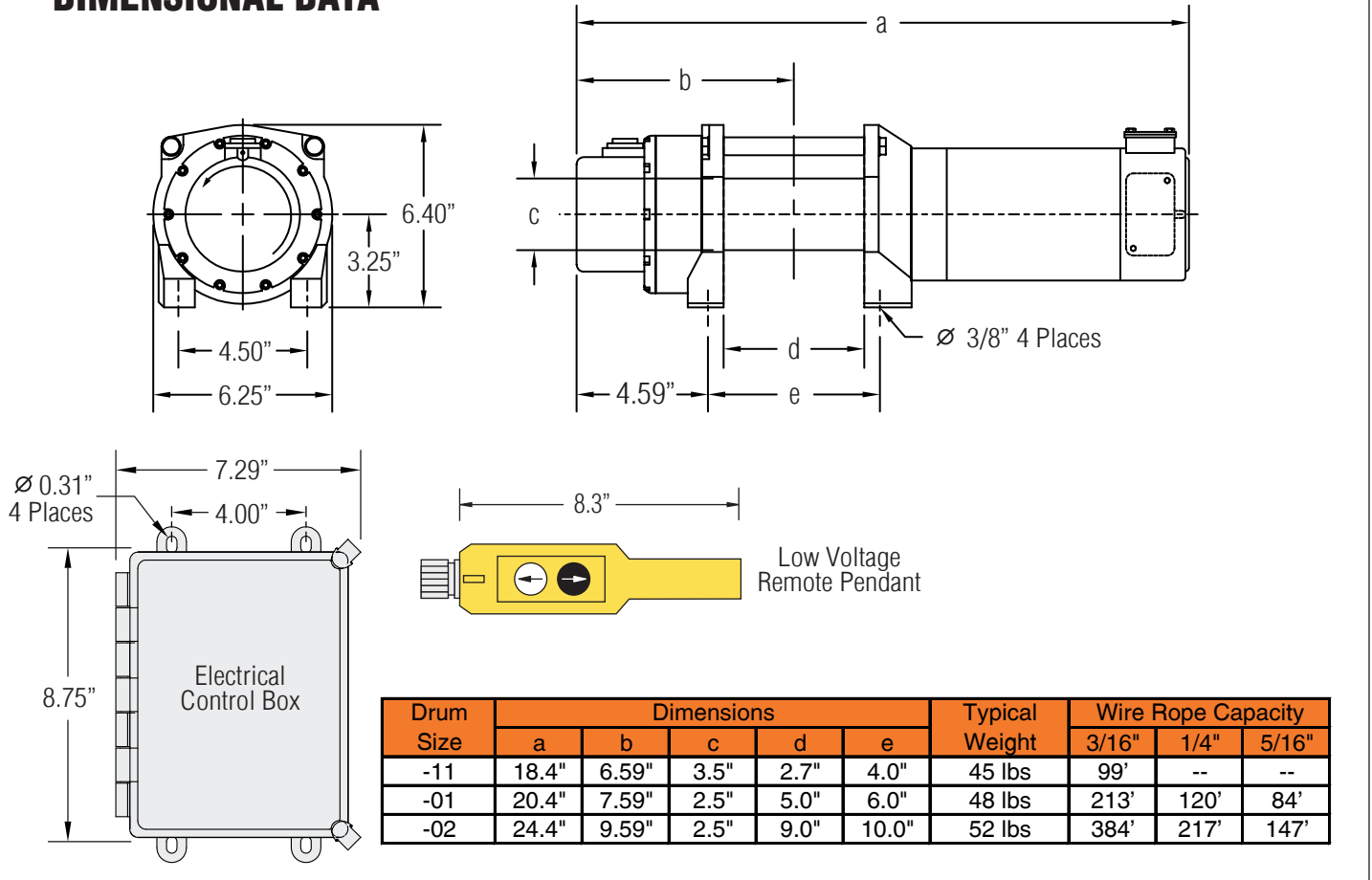
- Wall-mount control with keyed switch
- Variable speed controls
- Washdown, marine and explosion-proof ratings
- Lagged, grooved and divided drums
- Quick-mount brackets
- Cable tensioners
- I-Beam trolleys, Hammerhead systems
- AutoAdvance Line Spooler
- Strap drum conversion
- Wire rope, sheaves, snatch blocks and other rigging

Distributed by:

CAUTION: The final determination as to the suitability of this product for any purpose is solely that of the user. Columbia products are not to be used to lift people or to lift anything over people.

CAUTION: The final determination as to the suitability of this product for any purpose is solely that of the user. Columbia products are not to be used to lift people or to lift anything over people.

DIMENSIONAL DATA



PERFORMANCE

Model	Power Input		Motor		Gear Ratio	Line Pull • Line Speed (Calculated)		
	Voltage	Ø	HP	RPM		First Layer	Mean Drum	Full Drum
HC1000 ¹	115/230	1Ø	0.75	2500	216:1	1000 lbs • 11 fpm	821 lbs • 14 fpm	695 lbs • 16 fpm
H1000 ²	115/230	1Ø	0.75	2500	113:1	1000 lbs • 17 fpm	722 lbs • 24 fpm	565 lbs • 30 fpm
H1500 ²	115/230	1Ø	0.75	2500	156:1	1500 lbs • 13 fpm	1083 lbs • 18 fpm	848 lbs • 23 fpm
H2000 ²	115/230	1Ø	0.75	2500	216:1	2000 lbs • 9 fpm	1444 lbs • 12 fpm	1130 lbs • 15 fpm

¹ -11 drum

² -01 and -02 drums

Performance based on intermittent duty cycles.

Columbia winches and hoists are available for AC, DC, hydraulic or pneumatic power sources. Special models for any application can be supplied - please contact your distributor for details.

Distributed by: