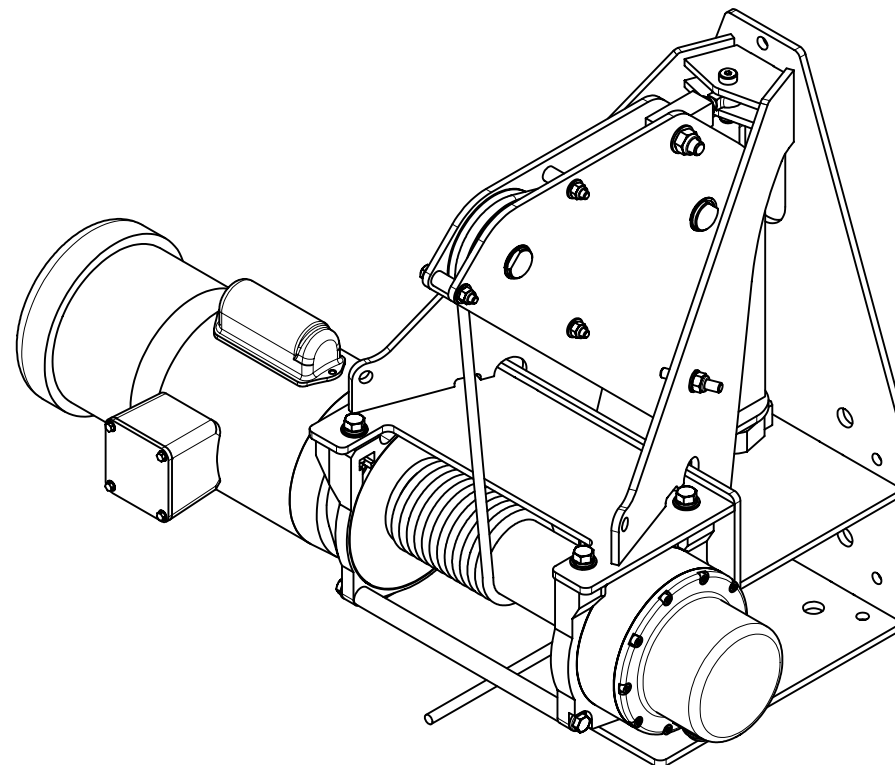
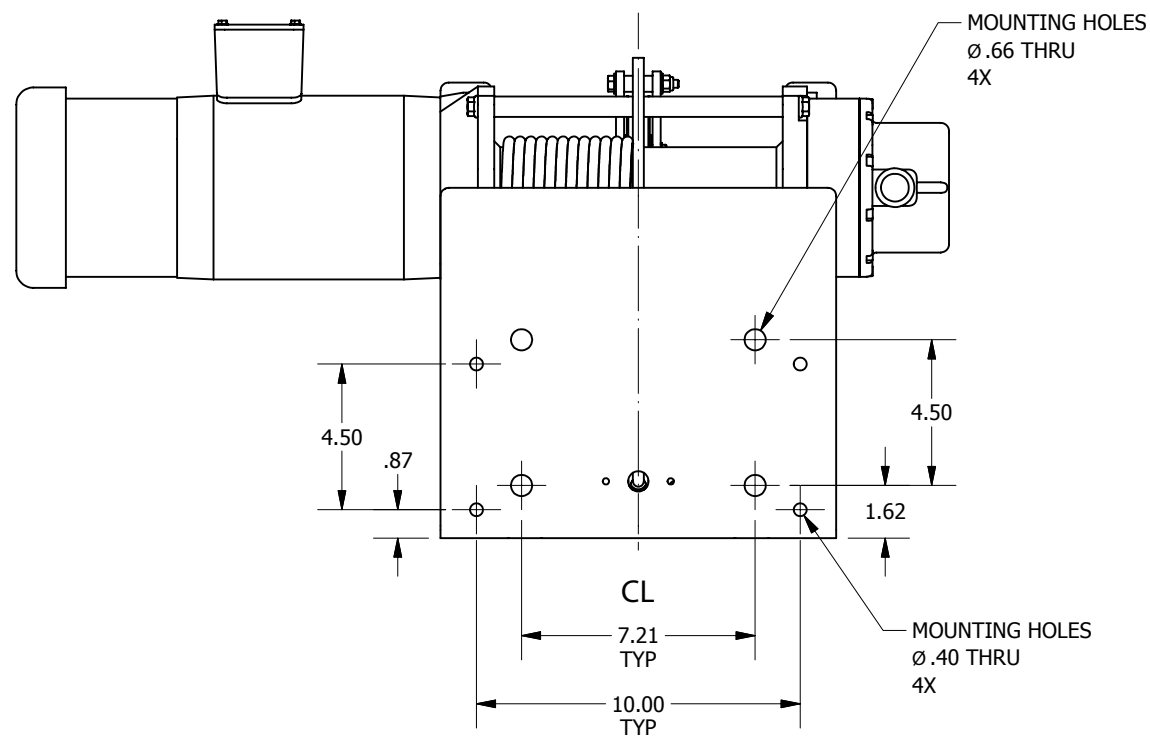
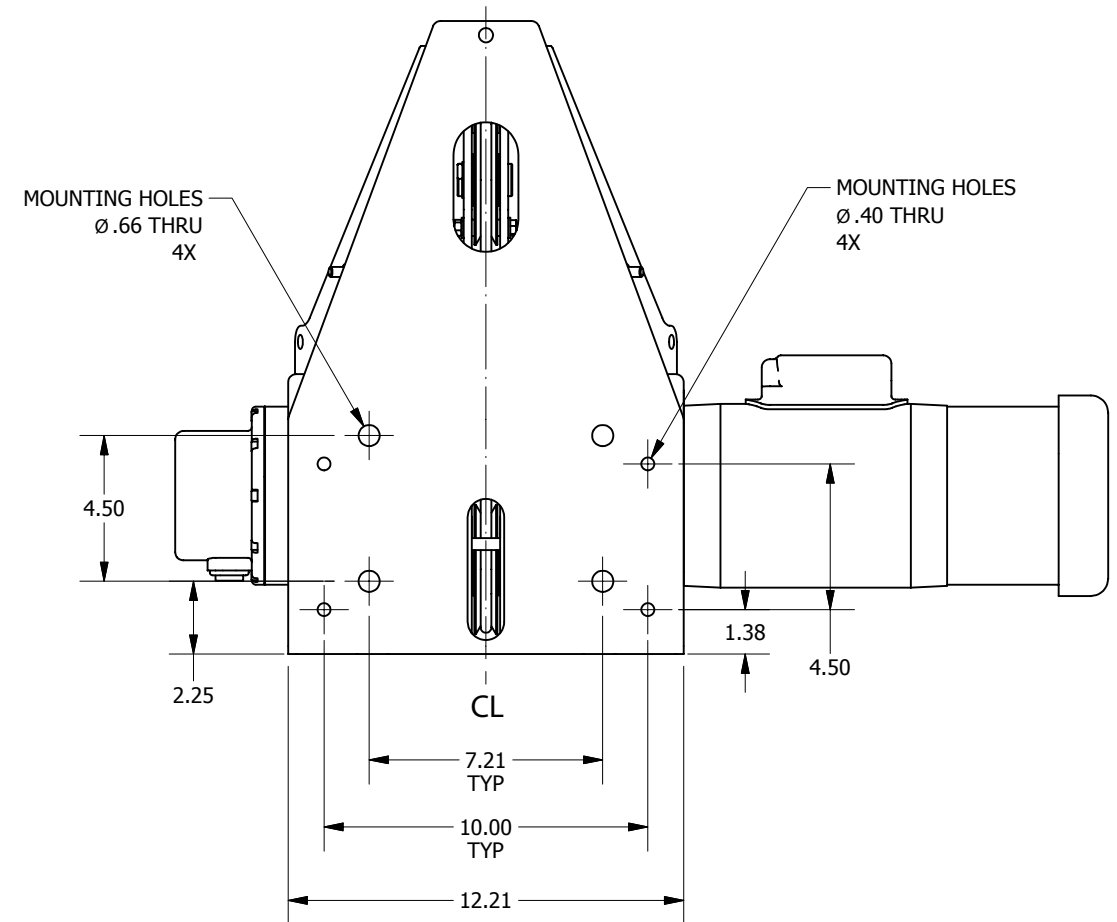
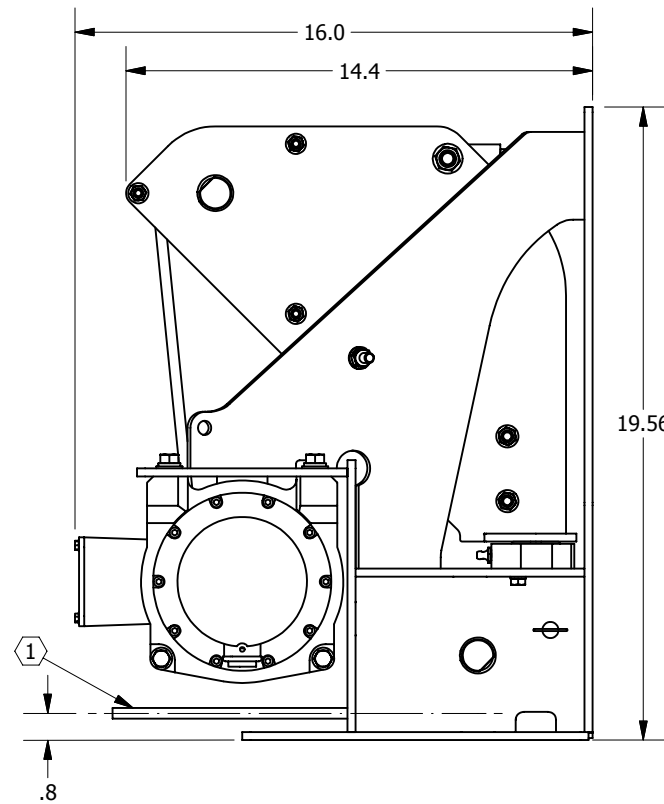
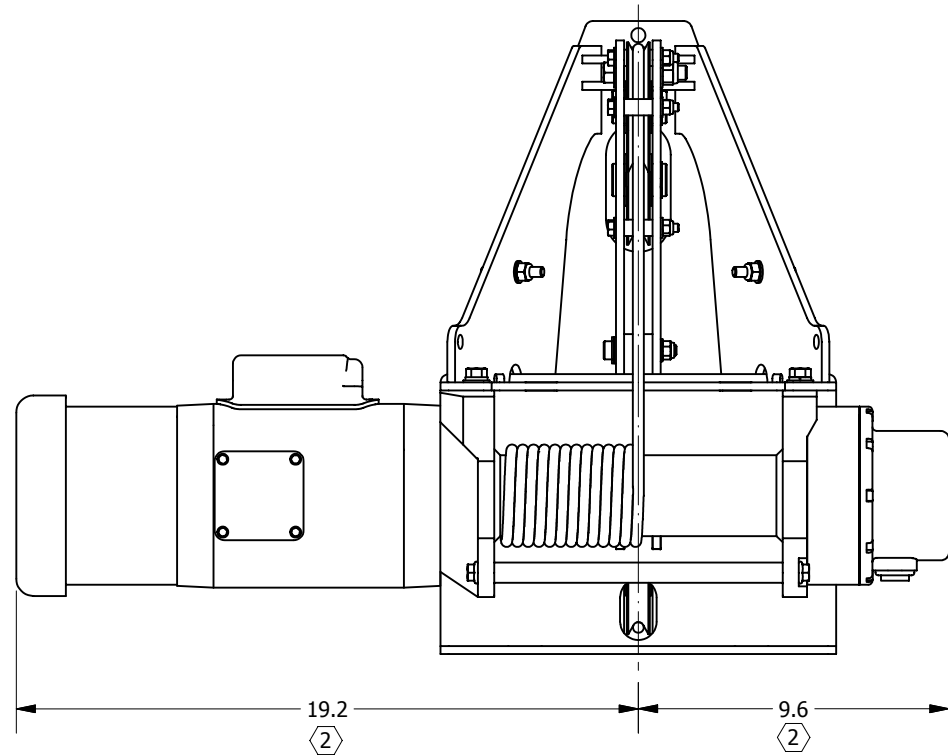


**AutoAdvance Line Spooler Dimensions**  
**Frame 1 -02 drum, horizontal entry**



NOTE:

- ① HORIZONTAL INCOMING LINE  
 (REFER TO DRAWING 2B11474R0 FOR VERTICAL INCOMING LINE).
- ② DIMENSION VARIES WITH DIFFERENT WINCH/HOIST MODELS.  
 SHOWN WITH MODEL HD2000-1A34-F-02.
- 3. BASED ON 5/16" WIRE ROPE.