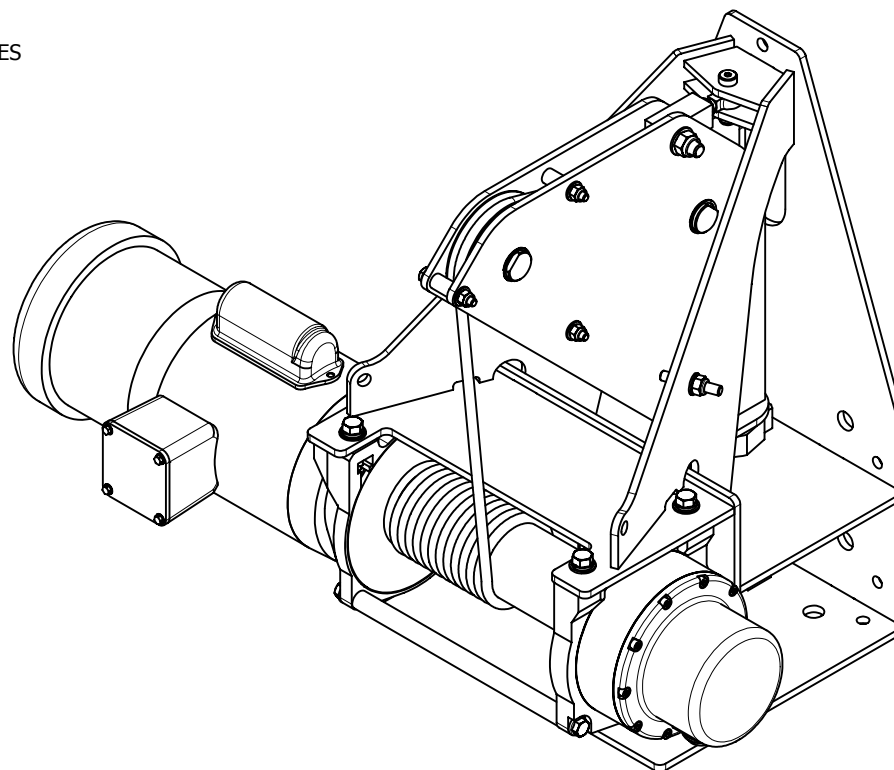
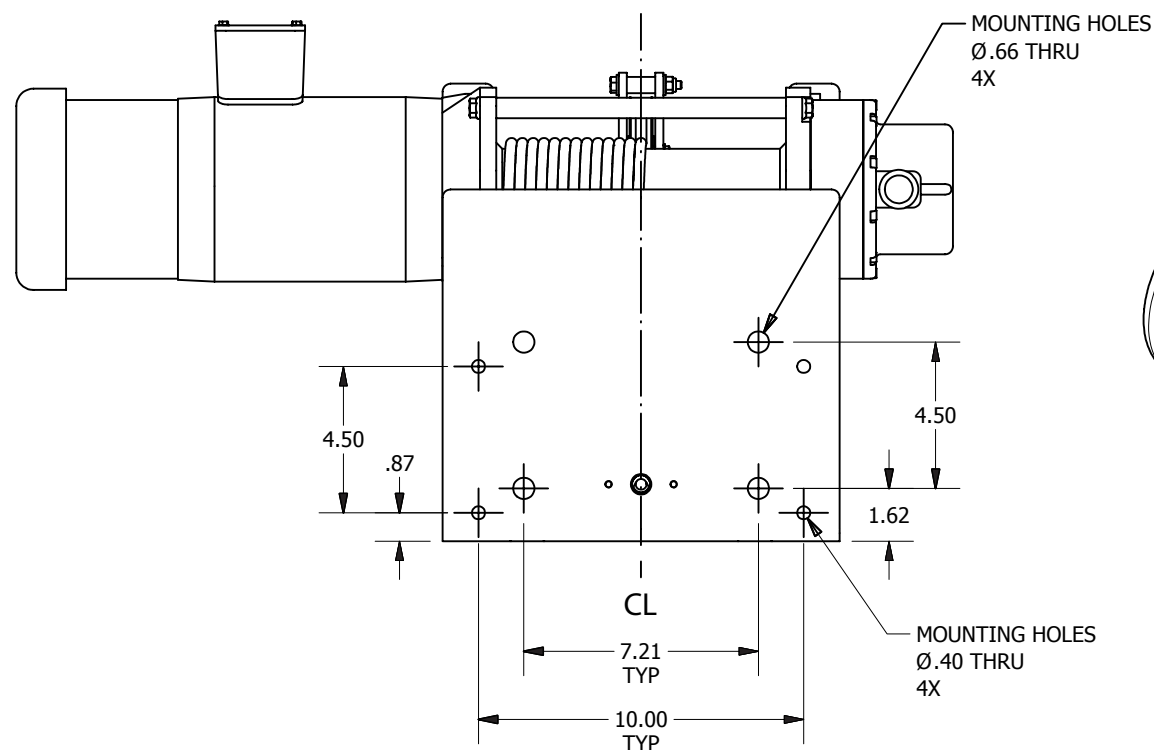
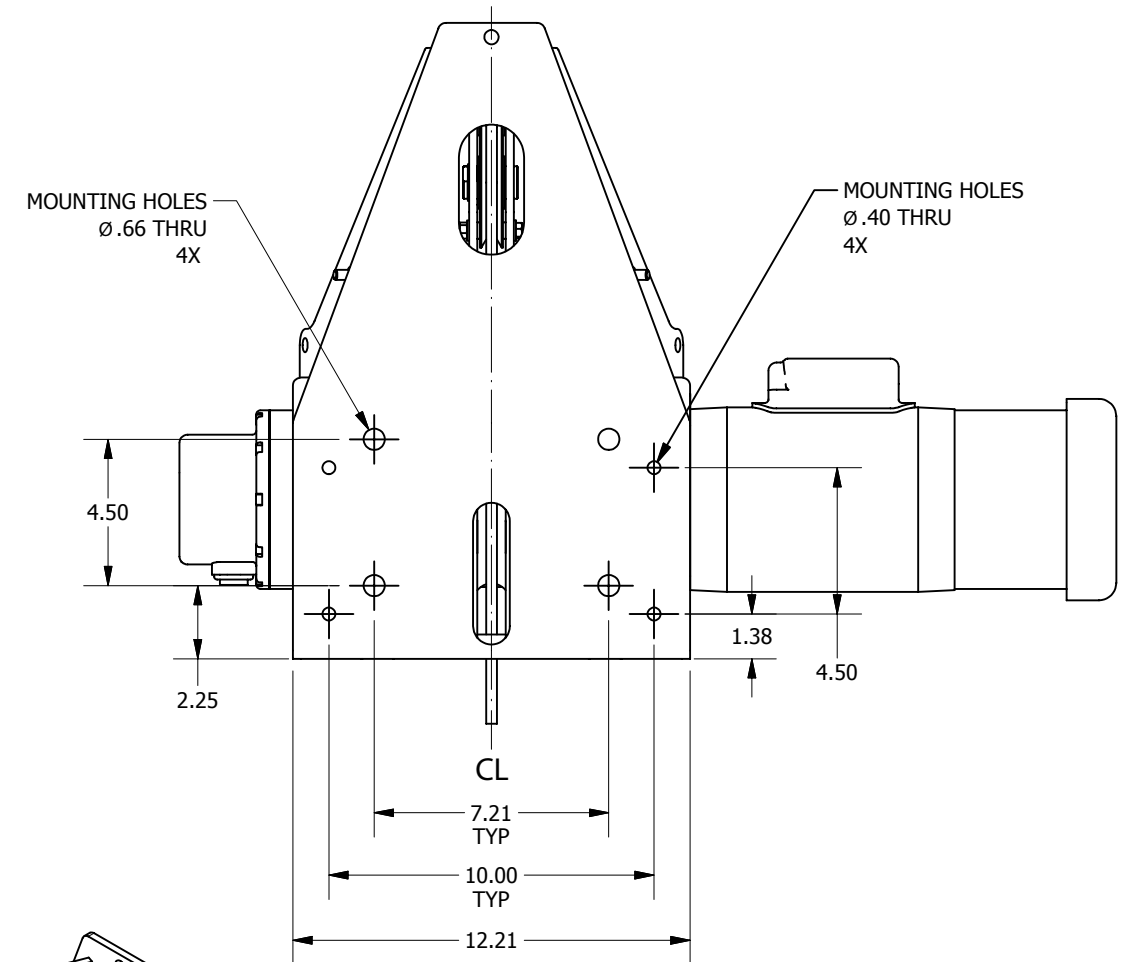
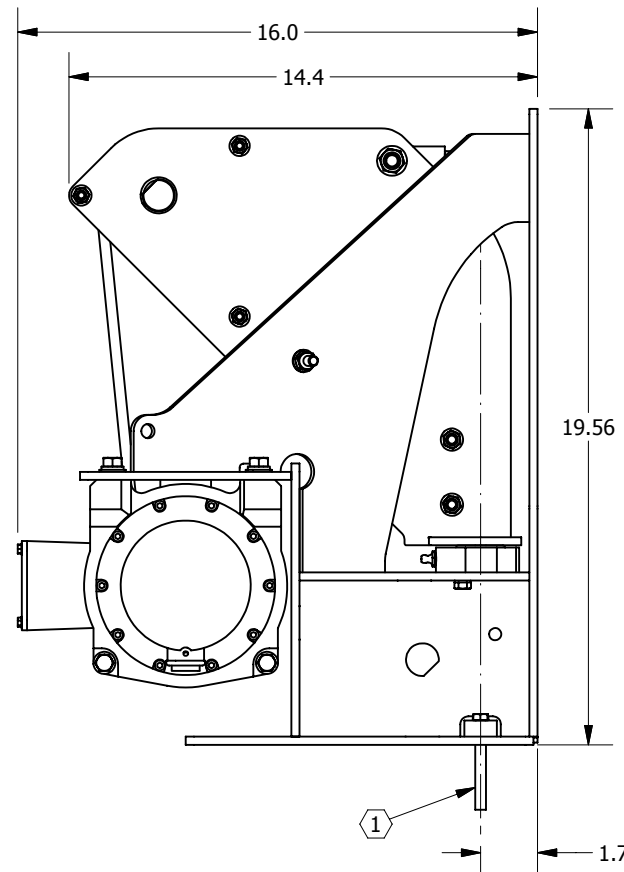
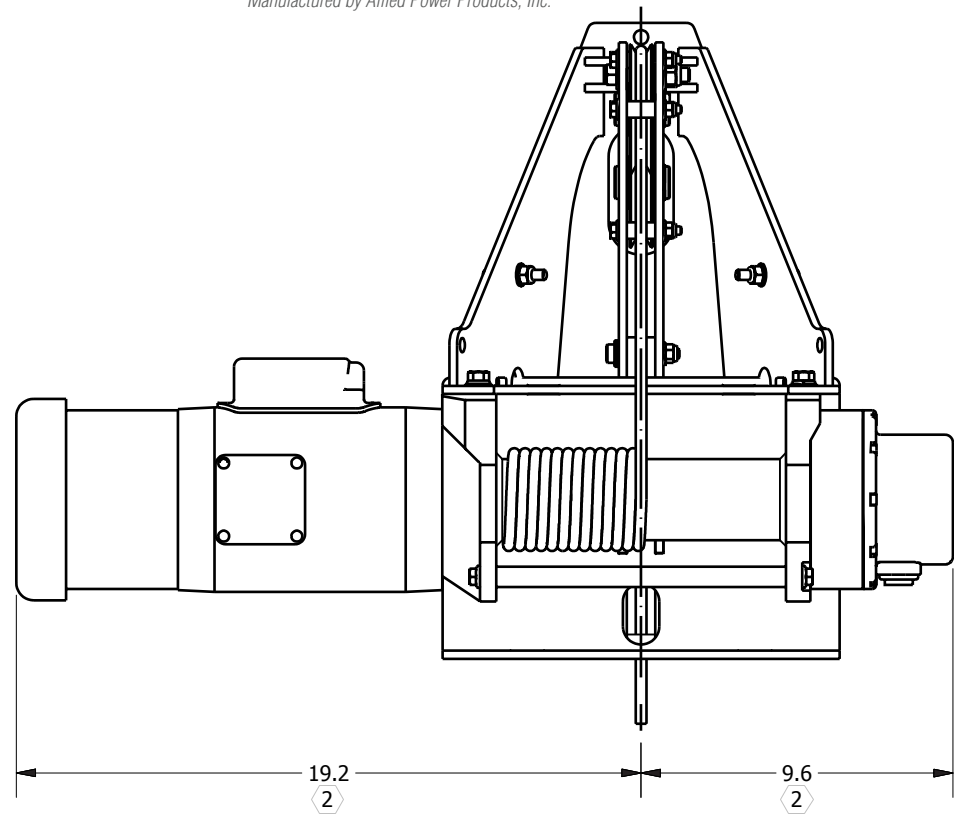


**AutoAdvance Line Spooler Dimensions**  
**Frame 1 -02 drum, vertical entry**



NOTE:

- ① VERTICAL INCOMING LINE  
(REFER TO DRAWING 2B9292R2 FOR HORIZONTAL INCOMING LINE).
- ② DIMENSION VARIES WITH DIFFERENT WINCH/HOIST MODELS.  
SHOWN WITH MODEL HD2000-1A34-F-02.
- 3. BASED ON 5/16" WIRE ROPE.

*This print is the property of Allied Power Products, Inc. and may not be used in any manner detrimental to their interest.*