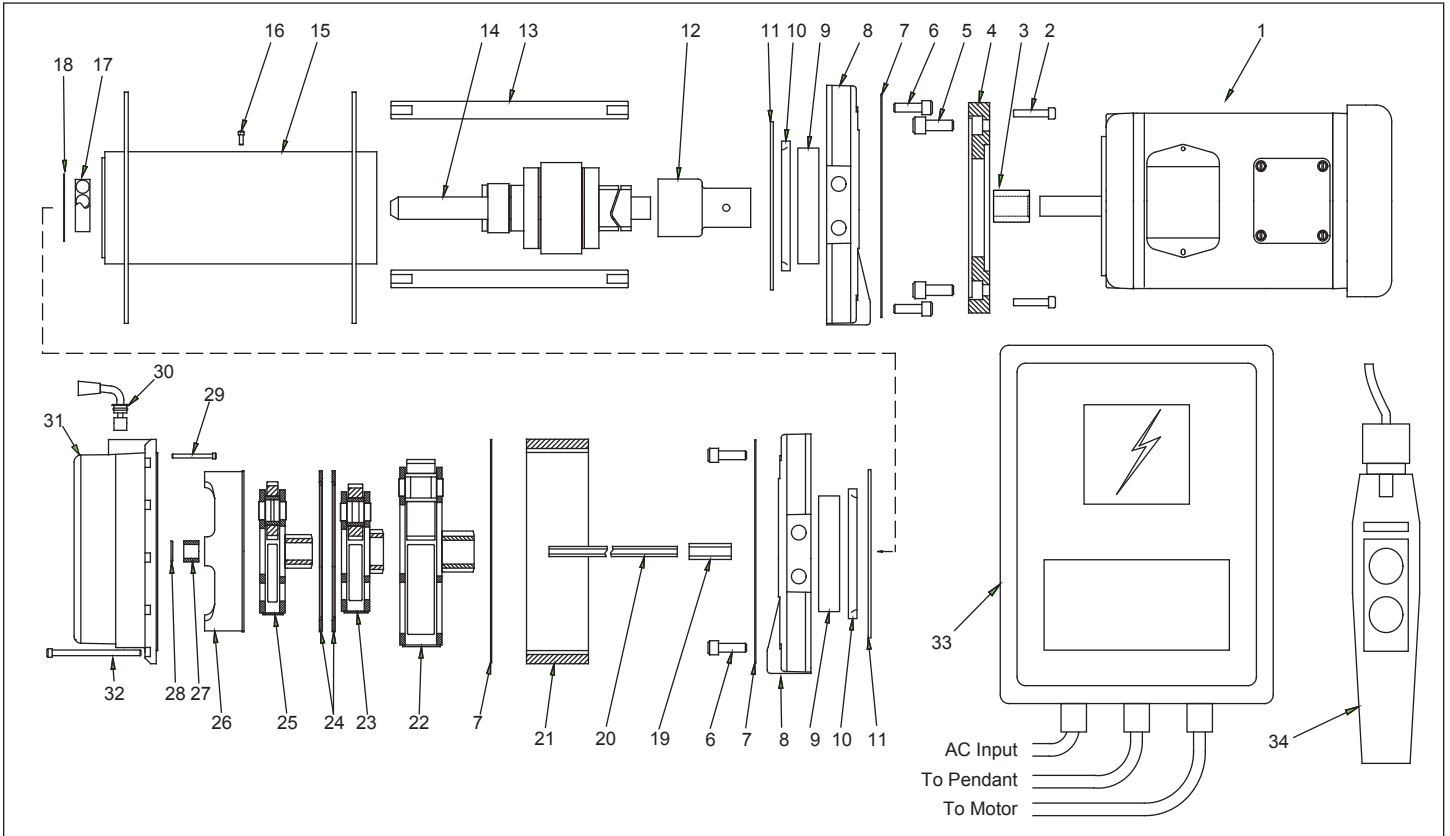


Frame 3 AC Electric Winch

Parts Breakdown



Parts List

WG7500-4A34-L-03

Item	Part Number	Qty.	Description
1	VM3555	1	AC Electric Motor
2	-----	10	1/4-20 x 1-1/4" SHCS
3	MC1057	1	Spacer
4	MC1065	1	Motor Adapter
5	-----	4	3/8-16 x 3/4" SHCS
6	-----	6	3/8-16 x 1-1/4" SHCS
7	14964	3	Gasket
8	31675	2	Drum Support
9	30274	2	Drum Bushing
10	30275	2	Seal
11	30277	2	Thrust Washer
12	MC1011	1	Coupler
13	31288	3	Tie Rod
14	-----	1	Drum Brake
15	32225	1	Drum
16	36974	1	Set Screw
17	31672	1	Bearing/Tolerance Ring
18	3000-X187	1	Snap Ring
19	30329	1	Drive Shaft Adapter
20	30315	1	Drive Shaft

Item	Part Number	Qty.	Description
21	31679	1	Ring Gear
22	30335	1	3rd Stage Carrier
23	24563	1	2nd Stage Carrier
24	15581	2	Retaining Ring
25	15643	1	1st Stage Carrier
26	34837	1	Clutch Gear
27	24832	1	Sun Gear
28	64252	1	Thrust Plug
29	16086	1	Clutch Retainer
30	39928	1	Freespool Lever
31	31684	1	Gear Housing Assembly
32	-----	10	1/4-20 x 3" SHCS
33	MC1008A	1	Control Box
34	MC1230	1	Low-Voltage Pendant