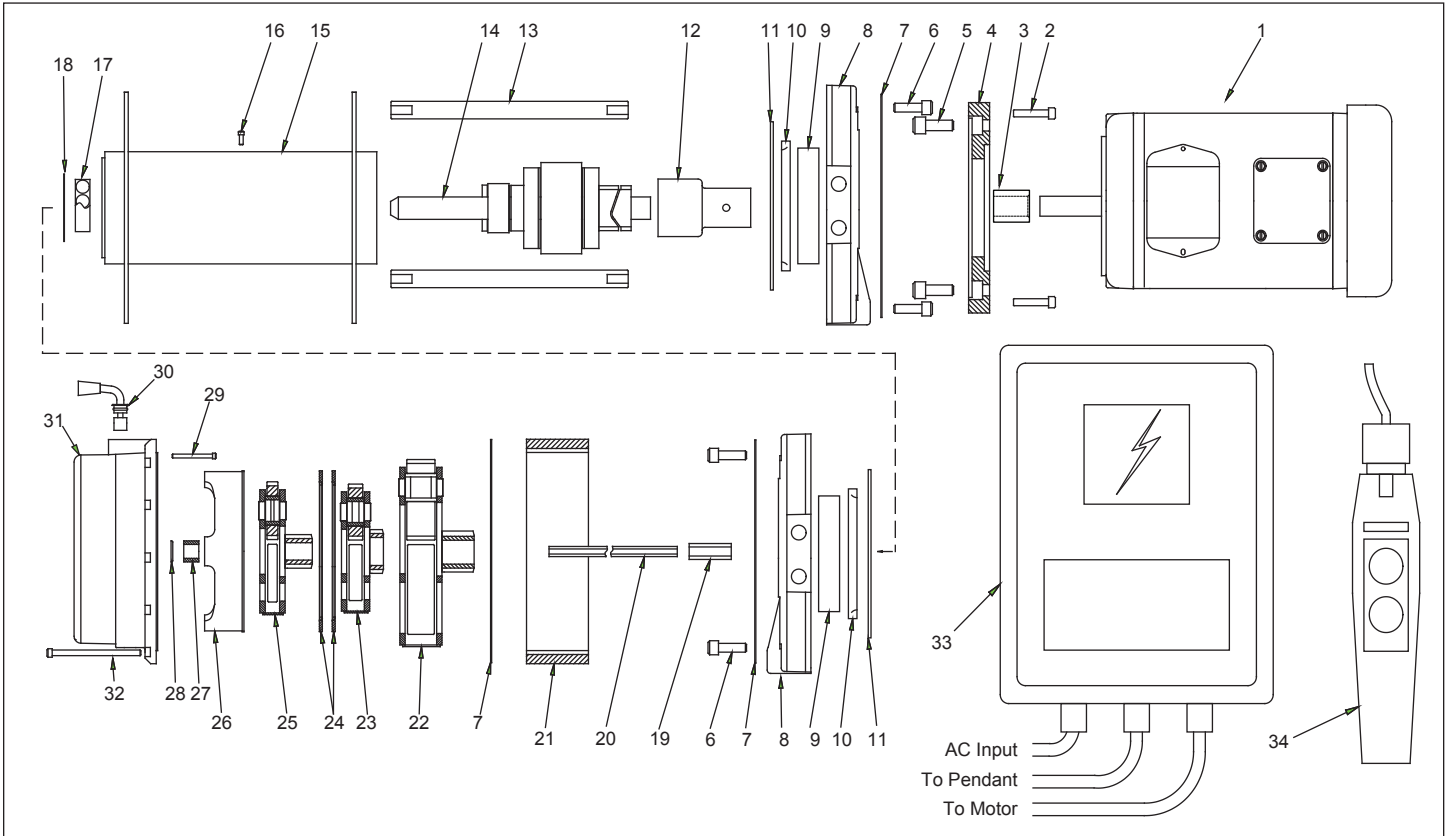


Frame 3 AC Electric Winch

Parts Breakdown



Parts List

WG5600-2A34-L-03 (3Ø)

| Item | Part Number | Qty. | Description | Item | Part Number | Qty. | Description |
|------|-------------|------|------------------------|------|-------------|------|-----------------------|
| 1 | VM3550 | 1 | AC Electric Motor | 21 | 31679 | 1 | Ring Gear |
| 2 | ----- | 10 | 1/4-20 x 1-1/4" SHCS | 22 | 30335 | 1 | 3rd Stage Carrier |
| 3 | MC1057 | 1 | Spacer | 23 | 24563 | 1 | 2nd Stage Carrier |
| 4 | MC1065 | 1 | Motor Adapter | 24 | 15581 | 2 | Retaining Ring |
| 5 | ----- | 4 | 3/8-16 x 3/4" SHCS | 25 | 15643 | 1 | 1st Stage Carrier |
| 6 | ----- | 6 | 3/8-16 x 1-1/4" SHCS | 26 | 34837 | 1 | Clutch Gear |
| 7 | 14964 | 3 | Gasket | 27 | 24832 | 1 | Sun Gear |
| 8 | 31675 | 2 | Drum Support | 28 | 64252 | 1 | Thrust Plug |
| 9 | 30274 | 2 | Drum Bushing | 29 | 16086 | 1 | Clutch Retainer |
| 10 | 30275 | 2 | Seal | 30 | 39928 | 1 | Freespool Lever |
| 11 | 30277 | 2 | Thrust Washer | 31 | 31684 | 1 | Gear Housing Assembly |
| 12 | MC1011 | 1 | Coupler | 32 | ----- | 10 | 1/4-20 x 3" SHCS |
| 13 | 31288 | 3 | Tie Rod | 33 | MC1008A | 1 | Control Box |
| 14 | ----- | 1 | Drum Brake | 34 | MC1230 | 1 | Low-Voltage Pendant |
| 15 | 32225 | 1 | Drum | | | | |
| 16 | 36974 | 1 | Set Screw | | | | |
| 17 | 31672 | 1 | Bearing/Tolerance Ring | | | | |
| 18 | 3000-X187 | 1 | Snap Ring | | | | |
| 19 | 30329 | 1 | Drive Shaft Adapter | | | | |
| 20 | 30315 | 1 | Drive Shaft | | | | |