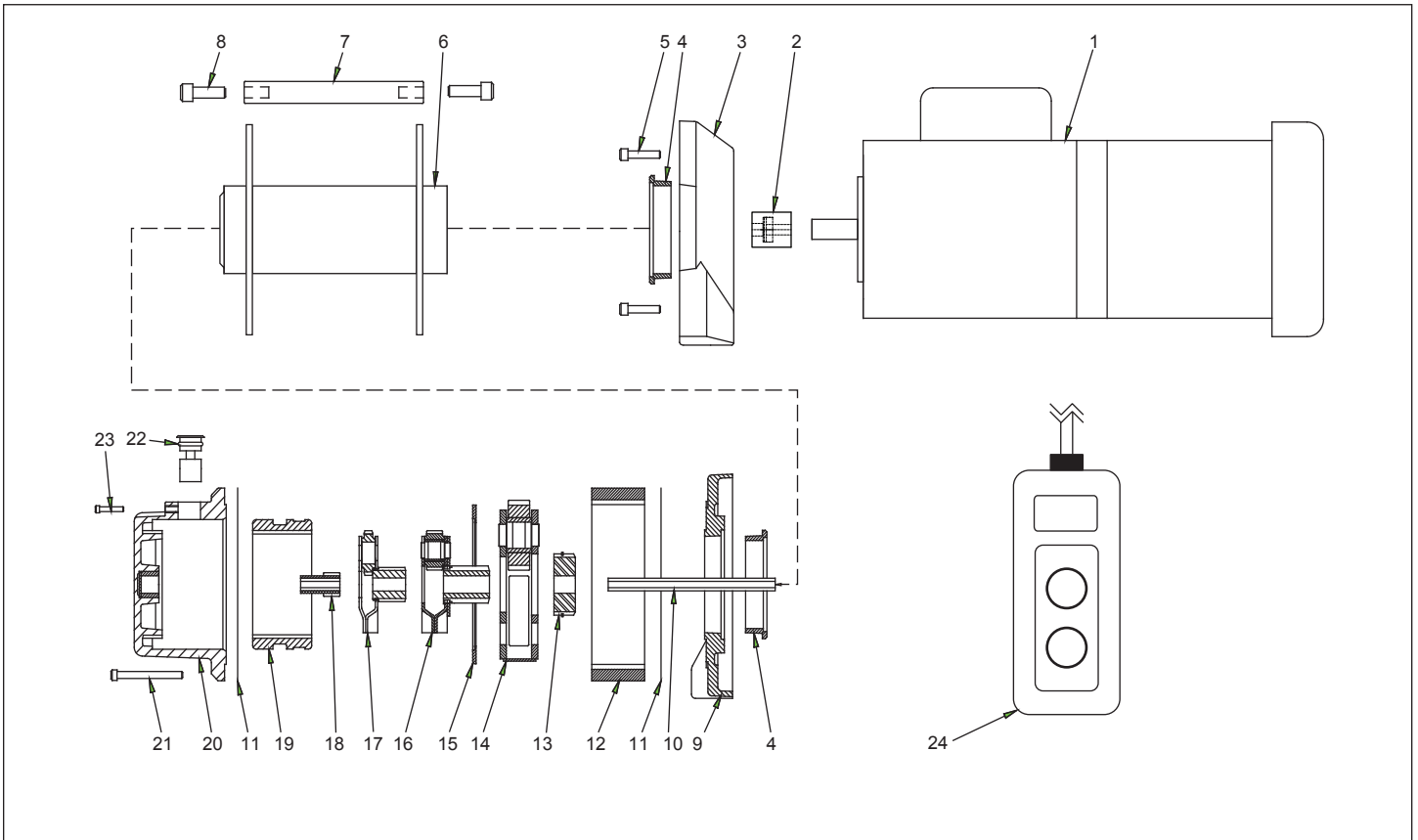


Frame 1 AC Electric Hoist

Parts Breakdown



Parts List

HD2000-1A34-F-02

Item	Part Number	Qty.	Description	Item	Part Number	Qty.	Description
1	34K828-0068G1	1	Brakemotor	21	-----	10	#10-24 x 2-1/4" SHCS
2	MC1028	1	Coupling	22	21213	1	Clutch Blockout
3	31610	1	Drum Support	23	25573	1	Clutch Retainer
4	13831	1	Drum Bushing	24	MC1213	1	Full Voltage Pendant
5	-----	4	1/4-20 X 1" SHCS				
6	26107	1	Drum				
7	32408	2	Tie Rod				
8	-----	4	5/16-18 X 1" HHCS				
9	34506	1	Drum Support				
10	MC1218	1	Drive Shaft				
11	13848	2	Gasket				
12	25308	1	Ring Gear				
13	14584	1	Planetary Gear Coupler				
14	28432	1	3rd Stage Carrier				
15	13826	1	Nylon Thrust Washer				
16	28431	1	2nd Stage Carrier				
17	28430	1	1st Stage Carrier				
18	13874	1	Sun Gear				
19	28353	1	Sliding Ring Gear				
20	27337	1	Gear Housing				