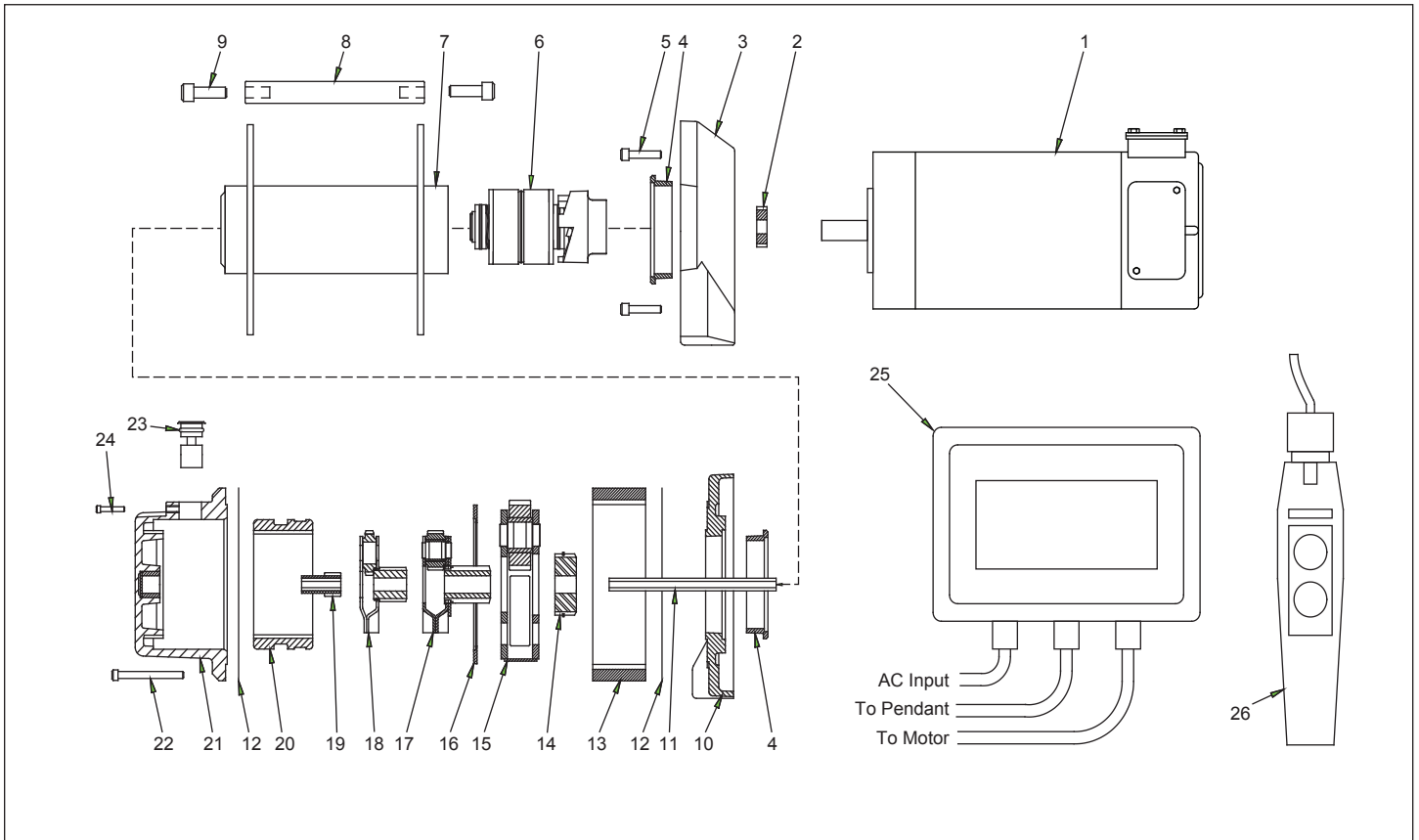


Frame 1 AC Electric Hoist

Parts Breakdown



Parts List

H1000-1A25-L-01

Item	Part Number	Qty.	Description
1	MC1285	1	Motor
2	32240	1	Coupling
3	31610	1	Drum Support
4	13831	1	Drum Bushing
5	-----	4	1/4-20 X 1" SHCS
6	13799	1	Drum Brake
7	34609	1	Drum
8	32454	2	Tie Rod
9	-----	4	5/16-18 X 1" HHCS
10	34506	1	Drum Support
11	-----	1	5/16" X 7.39" hex shaft
12	13848	2	Gasket
13	25308	1	Ring Gear
14	14584	1	Planetary Gear Coupler
15	28432	1	3rd Stage Carrier
16	13826	1	Nylon Thrust Washer
17	34342	1	2nd Stage Carrier
18	27846	1	1st Stage Carrier
19	14227	1	Sun Gear
20	28353	1	Sliding Ring Gear

Item	Part Number	Qty.	Description
21	25307	1	Gear Housing
22	-----	10	#10-24 x 2-1/4" SHCS
23	21213	1	Clutch Blockout
24	25573	1	Clutch Retainer
25	MC1197	1	Control Box
26	MC1230	1	Low-Voltage Pendant